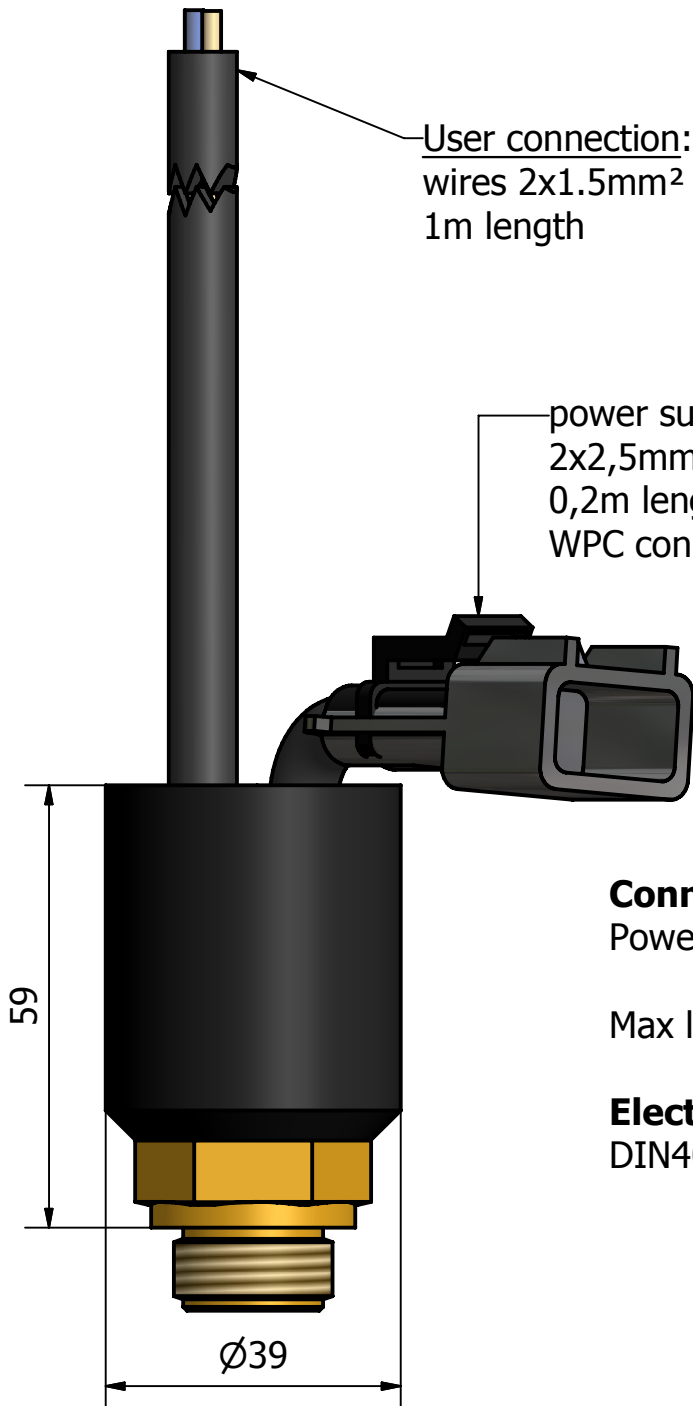


THERMOSTAT TMR4 WITH INCORPORATED POWER RELAY



User connection:
wires 2x1.5mm²
1m length

Metripack
female connector
series 280



Metripack
male connector
series 280



power supply connection
2x2,5mm² wire
0,2m length
WPC connectors

Connection features:

Power supply: 24VDC standard execution
12VDC on request

Max load on contacts: 30A

Electric protection:

DIN40050:IP67

	Date	Name:	DESCRIPTION:	SCALE:
DRAWN:	27/04/2012	marco	Thermostat TMR4 connection features and electric protection	
CHECKED:				
APPROVED:				
ALL DIMENSION ARE IN MILLIMETER EXCEPT WHERE OTHERWISE NOTED	Projection:ISO128	FOX S.r.l. Via Romagna 6 20090 Opera (MI) ITALY	DRAWING No/FILE NAME TMR4 connection and protection	SHEET 1 of 1