

**Caratteristiche Tecniche:**

**Temperatura d'impiego:** -20°C ÷ +120°C  
**Valore fisso d'isteresi:** ~ 12°C del valore impostato  
**Precisione d'intervento:** ± 3,5°C  
**Gradiente di temperatura max:** 3°C/min  
**Peso:** 0,06 Kg

**Corpo:** in ottone esagonale CH27mm

**Caratteristiche elettriche:**

- Connessione elettrica secondo norme DIN43650, M3 o M2
- Protezione elettrica secondo norme DIN 40050, IP65 (M3 e M2)
- Connessione elettrica secondo norme IEC60947-5-2, M12
- Protezione elettrica secondo norme DIN 40050, IP67 (M12)
- **Massimo carico sui contatti:** AC 15A / DC 10A

**Garanzia:** vedi pagina dedicata

**Parti di ricambio:** vedi pagina dedicata

**Disponibile:**

- Connessioni elettriche speciali (DT04, DT062S WPC, ecc...)
- Valori di isteresi speciali
- CU-TR per mercato russo
- Differenti valori di settaggio temperatura
- **TM4 ATEX** à II 3G Ex nc IIB T6 Gc IP65

**Technical Characteristics:**

**Working temperature:** -20°C ÷ +120°C  
**Fixed hysteresis value** ~ 12°C of the setting value  
**Switching accuracy:** ± 3.5°C  
**Max temperature gradient:** 3°C/min  
**Weight:** 0.06 Kg

**Body:** in brass hexagonal CH27mm

**Electrical characteristics:**

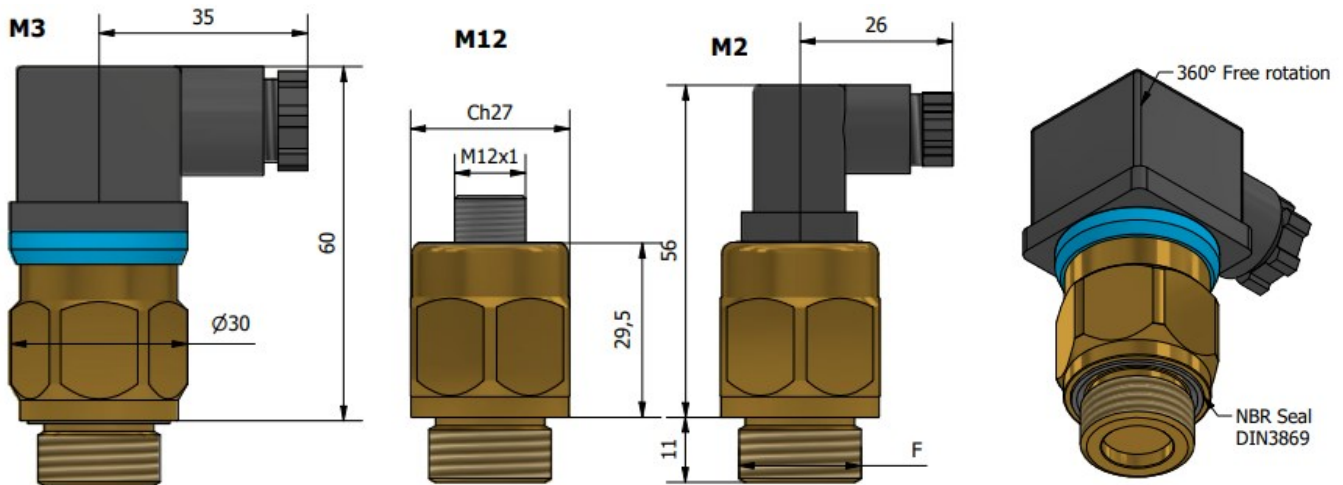
- electrical connection standard DIN43650, M3 or M2
- electrical protection according to DIN 40050, IP65 (M3 and M2)
- electrical connection to standard IEC60947-5-2, M12
- electrical protection according to DIN 40050, IP67 (M12)
- Maximum load on contacts : AC 15A / DC 10A

**Warranty:** see dedicated page

**Spare parts:** see dedicated page

**Available:**

- Special electrical connections (DT04, DT062S WPC, etc...)
- Values of special interest
- CU-TR per Russian market
- Different values of temperature settings
- **TM4 ATEX** II 3G Ex nc IIB T6 Gc IP65



TM2						/.
Tipo	Valore fisso d'intervento	P Max	Tipologia contatto elettrico	Materiale del corpo	Connessione idraulica	Connessione elettrica
Type	Fix set switching	P Max	Type of electric contact	Body material	Hydraulic connection	Electrical Connection
TM.	°C					
TM44	40	200 Bar	<b>A</b> NA NO  <b>C</b> NC NC	<b>Standard ottone</b>  <b>Brass Standard</b>  <b>X</b>  AISI316	1 > 1/2" BSP-M 2 > 3/8" BSP-M 3 > M22x1.5-M	<b>M3 standard</b>  <b>M2 = 16x16mm</b> connettore / connector  <b>M12</b> Connessione M12x1 Connection M12x1 (Connettore femmina escluso) (Female connector excluded)
TM45	50					
TM46	60					
TM47	70					
TM48	80					
TM49	90					
TM49.0	100					
TM49.1	110					
TM49.2	120					

# Bimetallic Thermostat TM4-M3 Series

## Description

The TM4 thermostat allows the switching of an electrical contact when a fixed temperature value is reached.

## Technical Features

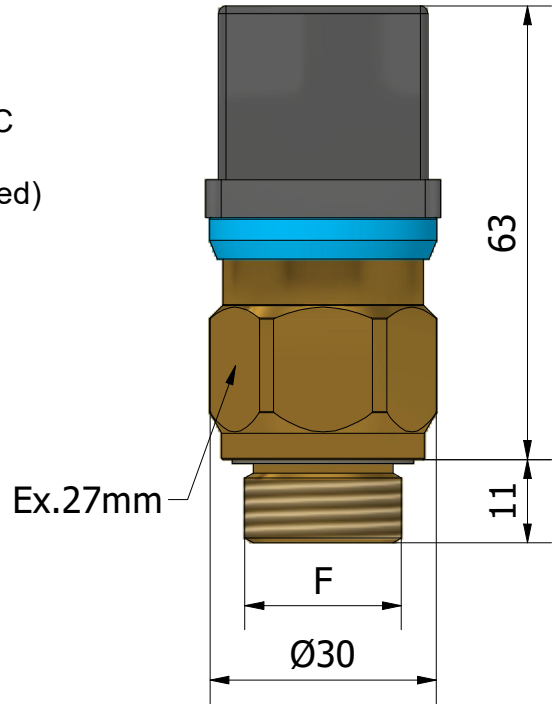
Hexagonal body: 27mm hexagon in brass  
 Hydraulic connection F: 3/8"BSP, 1/2"BSP, M22 x 1.5  
 Fixed intervention value: On request from 40°C to 120°C  
 Maximum pressure: 200 bar  
 Contacts: N.O. (Normally Open) or N.C. (Normally Closed)

Seal: NBR  
 Switching frequency: 20 cycles / min  
 Operating temperature: -20 ÷ 120 °C  
 Intervention accuracy: ± 3.5 °C  
 Hysteresis fixed value: ~ 12 °C of the set value

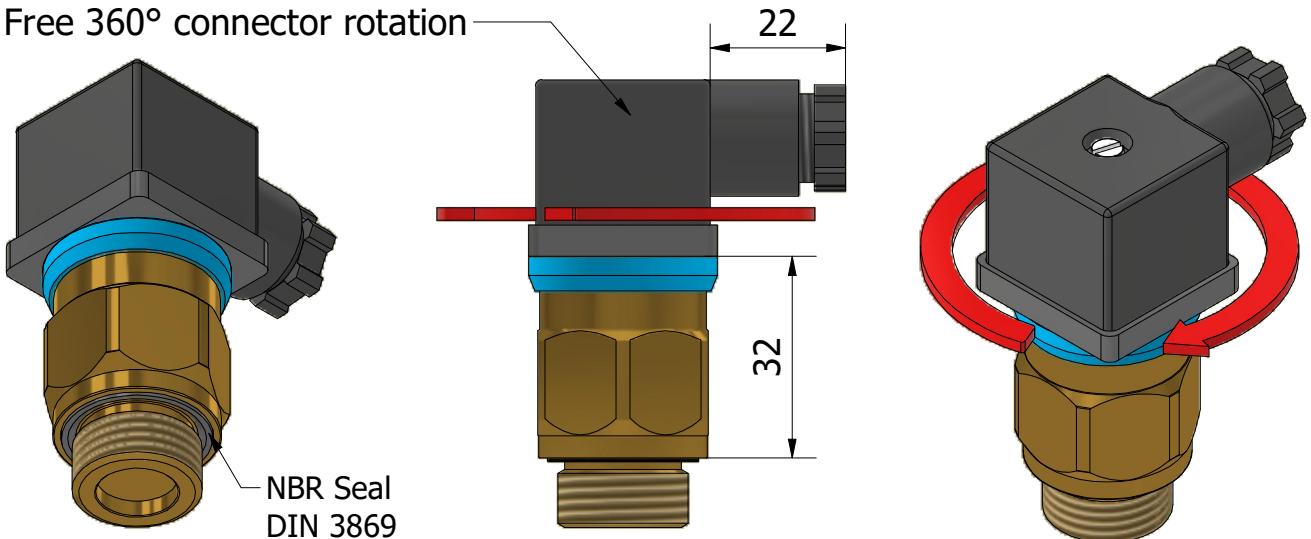
Load on contacts:  
 220 VAC / 10 A  
 125 VAC / 15A


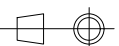
24 VDC / 10 A  
 12 VDC / 10 A

Electric connection: DIN 43650  
 Electrical protection DIN40050: IP65



Free 360° connector rotation



	Date	Name:	DESCRIPTION:	SCALE:
DRAWN:	01/09/2023	JH	Thermostat TM4 - Series	1:1
CHECKED:	01/09/2023	ec		
APPROVED:				
Projection:ISO128	FOX S.r.l.		DRAWING No/FILE NAME	SHEET
	Via Romagna 6 20090 Opera (MI) ITALY		TM4-DS	1 of 1

ALL DIMENSION ARE IN MILLIMETER EXCEPT WHERE OTHERWISE NOTED