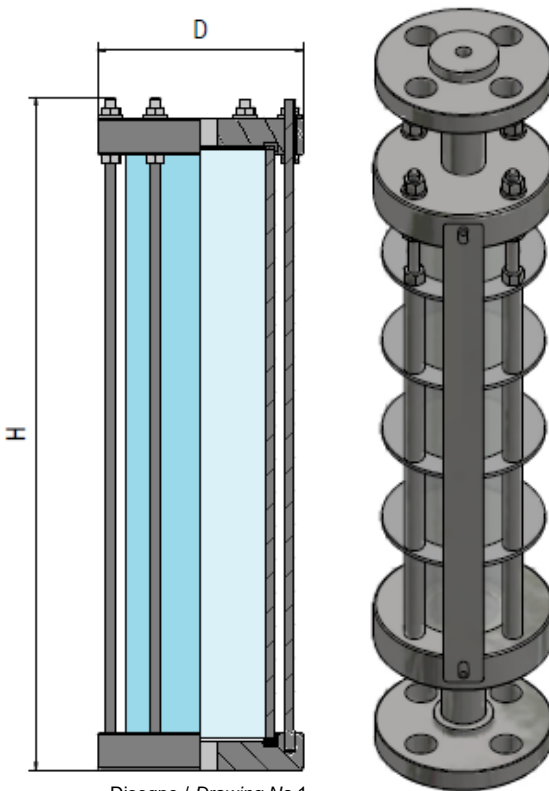


Caratteristiche Tecniche:

- Funzionalità:** installati in aspirazione alle pompe dosatrici, sono impiegati per poter calibrare in maniera precisa le portate delle pompe; solitamente sono dimensionati con un tempo di misura di 60 o 30 secondi
- Pressione massima di lavoro (PS):** 1 bar
- Tappi di chiusura std:** acciaio inox AISI316L
- Guarnizioni:** PTFE
- Tubo:** Vetro borosilicato, serigrafato in ml
- Installazione:** verticale
- Garanzia:** vedi pagina dedicata
- Parti di ricambio:** vedi pagina dedicata
- Disponibile:**
- Serigrafia su lamina esterna
 - Unità di misura varie (gpm, l, m³)
 - Corpo verniciato esternamente secondo procedura standard FOX o secondo specifica
 - Connessione flangiata ANSIB16.5 o UNI/DIN
 - Connessione speciale a richiesta
 - Esecuzione alte pressioni (10 bar)
 - Materiali speciali esotici (vedi tabella sotto)
 - Volumi speciali (fino a 50 litri)
 - Protezione esterna in acciaio inox



Disegno / Drawing No 1

Technical Features:

- Functionality:** installed on the suction side of dosing pumps are used to accurately calibrate their flow rates; they are usually sized with measurement time of 60 or 30 seconds
- Maximum working pressure (PS):** 1 bar
- Closing caps std:** stainless steel AISI316L
- Gaskets:** PTFE
- Tube:** Borosilicate glass, serigraphy in ml
- Installation:** vertical
- Warranty:** see dedicated page
- Spare parts:** see dedicated page
- Also available:**
- Serigraphy on external steel plate
 - Various unit of measurement (gpm, l, m³)
 - Outside epoxy painted as per standard FOX procedure or as project specification
 - Connection flanged ANSIB16.5 or UNI/DIN
 - Special connections on request
 - High pressure execution (10 bar)
 - Exotic materials (see table below)
 - Special volume (till 50 liters)
 - External stainless steel safety protection

Su richiesta, conforme a:

- * CE (2014/68/EU- PED)
- * ATEX(2014/34/EU)

On request, according to:

- * CE (2014/68/EU- PED)
- * ATEX(2014/34/EU)

Modello (riferito a esecuzione filettata)	Volume (Lt.)	Pressione Max (bar)	H (mm)	D (mm)	Connessioni di processo filettate standard (disegno n° 1)	Connessioni di processo flangiata standard	Opzione
Model (referred to threaded execution)	Volume (L)	Max Pressure (bar)	H (mm)	D (mm)	Threaded process standard connections (drawing n° 1)	Flanged process standard connections	Option
CCG0001-1X1-11-0000	0,010	1	370	50	1/2" BSP-F	1/2" ANSI 150 RF or DN15 PN10-40	HD Indica protezione esterna in SS Se omissa, indica esecuzione standard <i>Means external stainless steel protection, if not specified means standard version</i>
CCG0001-1X1-12-0000					1/2" NPT-F		
CCG0002-1X1-11-0000	0,025	1	370	50	1/2" BSP-F	1/2" ANSI 150 RF or DN15 PN10-40	
CCG0002-1X1-12-0000					1/2" NPT-F		
CCG0005-1X1-11-0000	0,050	1	370	50	1/2" BSP-F	1/2" ANSI 150 RF or DN15 PN10-40	
CCG0005-1X1-12-0000					1/2" NPT-F		
CCG0010-1X1-11-0000	0,10	1	360	60	1/2" BSP-F	1/2" ANSI 150 RF or DN15 PN10-40	
CCG0010-1X1-12-0000					1/2" NPT-F		
CCG0025-1X1-11-0000	0,25	1	290	90	1/2" BSP-F	1/2" ANSI 150 RF or DN15 PN10-40	
CCG0025-1X1-12-0000					1/2" NPT-F		
CCG0050-1X1-11-0000	0,50	1	490	90	1/2" BSP-F	1/2" ANSI 150 RF or DN15 PN10-40	
CCG0050-1X1-12-0000					1/2" NPT-F		
CCG0100-1X1-11-0000	1	1	360	110	1/2" BSP-F	1/2" ANSI 150 RF or DN15 PN10-40	
CCG0100-1X1-12-0000					1/2" NPT-F		
CCG0150-1X1-11-0000	1,5	1	490	110	1/2" BSP-F	1/2" ANSI 150 RF or DN15 PN10-40	
CCG0150-1X1-12-0000					1/2" NPT-F		
CCG0300-1X1-21-0000	3	1	360	170	3/4" BSP-F	3/4" ANSI 150 RF or DN20 PN10-40	
CCG0300-1X1-22-0000					3/4" NPT-F		
CCG0500-1X1-21-0000	5	1	540	170	3/4" BSP-F	3/4" ANSI 150 RF or DN20 PN10-40	
CCG0500-1X1-22-0000					3/4" NPT-F		
CCG1000-1X1-31-0000	10	1	550	220	1" BSP-F	1" ANSI 150 RF or DN25 PN10-40	
CCG1000-1X1-32-0000					1" NPT-F		
CCG1500-1X1-31-0000	15	1	700	240	1" BSP-F	1" ANSI 150 RF or DN25 PN10-40	
CCG1500-1X1-32-0000					1" NPT-F		
CCG2000-1X1-31-0000	20	1	900	240	1" BSP-F	1" ANSI 150 RF or DN25 PN10-40	
CCG2000-1X1-32-0000					1" NPT-F		
CCG2500-1X1-31-0000	25	1	1100	240	1" BSP-F	1" ANSI 150 RF or DN25 PN10-40	
CCG2500-1X1-32-0000					1" NPT-F		
CCG3000-1X1-51-0000	30	1	1150	260	2" BSP-F	2" ANSI 150 RF or DN50 PN10-40	
CCG3000-1X1-52-0000					2" NPT-F		
CCG3500-1X1-51-0000	35	1	1410	260	2" BSP-F	2" ANSI 150 RF or DN50 PN10-40	
CCG3500-1X1-52-0000					2" NPT-F		
CCG4000-1X1-51-0000	40	1	1143	280	2" BSP-F	2" ANSI 150 RF or DN50 PN10-40	
CCG4000-1X1-52-0000					2" NPT-F		
Materiali / Materials:	X = AISI316-316L C = PVC-C U = PVC-U P = PP				E = PVDF F = ASTM A350-LF2 (CARBON STEEL) D = F51 UNS S31803 S = F53 UNS S32750		Y = ALLOY-20 H = HASTELLOY-C 276 I = INCONEL 825 T = TITANIUM